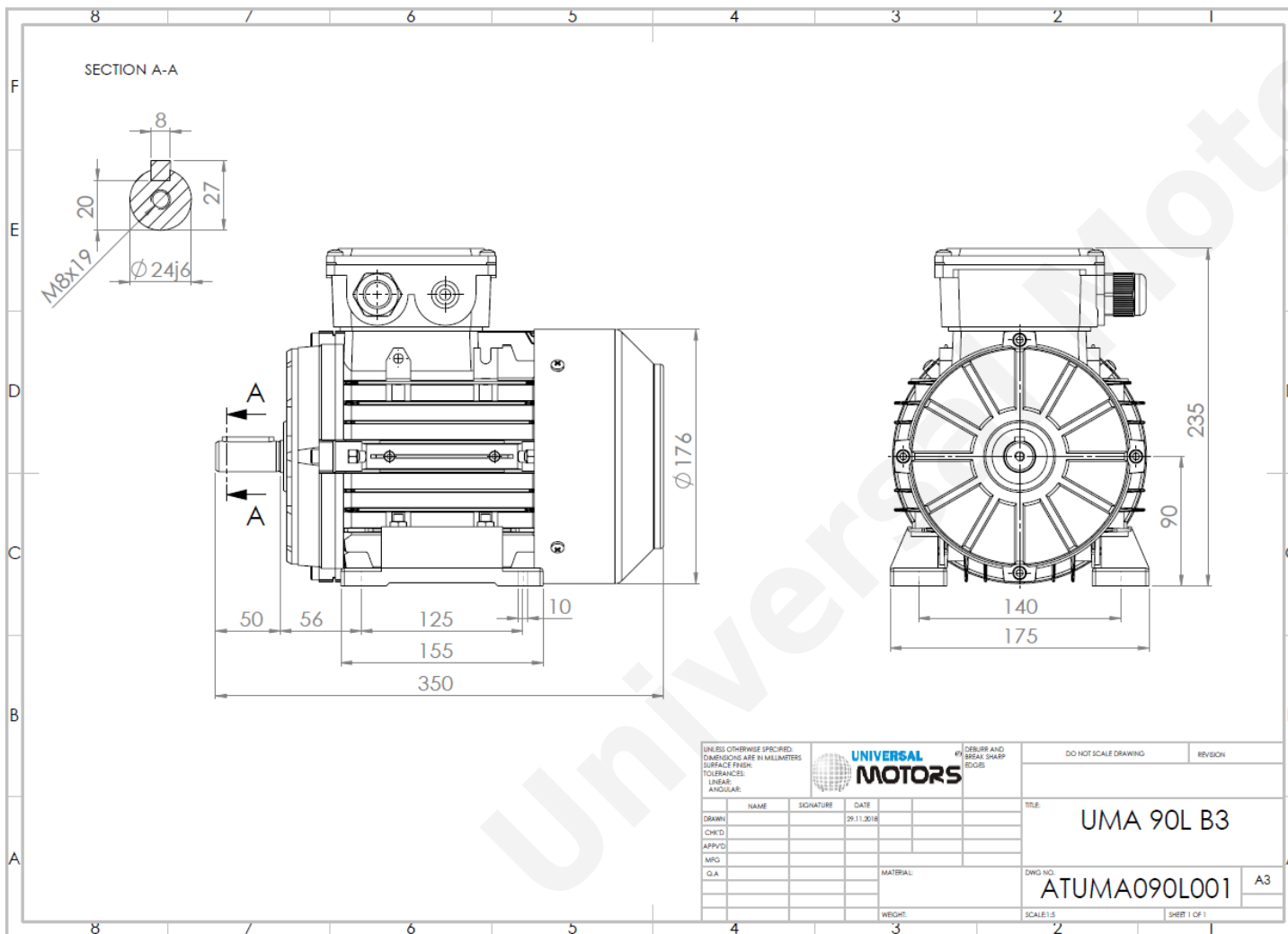




TECHNICAL DATA

Three Phase Electric Motors - Aluminum Frame
 UM3A 90L1-2 IE3
 2.2 kW / 3 Cv
 RPM



Motor type:	UM3A 90L1-2 IE3
Output:	2.2 kW / 3 Cv
Frequency:	50 Hz
Voltage:	400 V
Current:	4.4 A
Power factor (Cos Ø):	0.84
Poles:	2
Insulation class:	F
Temperature rise Class:	B
Efficiency 50%:	84.7 %
Efficiency 75%:	86.1 %
Efficiency 100%:	85.9 %
Torque:	7.3 N.m
Tstarting/Tnominal:	3.3
Istarting/Inominal:	9.0
Tmaximum/Tnominal:	3.7
Noise:	72 Db(A)
Weight:	16.3 Kg
Brake AC:	AC4
Torque Brake DC:	16 N.m
Bearing DE:	6205 2Z
Bearing NDE:	6205 2Z
Torque Brake AC:	20 N.m
Brake DC:	REB-05-10

Regime - S1

Altitude - 1000m

Environment Temperature - 40°C

CONTACTS:

UNIVERSAL MOTORS Tel: +351 252 299 080
 Rua de São Brás,745 Fax: +351 252 299 089
 4480-782 VILA DO CONDE Mail: geral@universalmotors.pt

* References applied only in the UK